



STROBECOM II

DETOC21

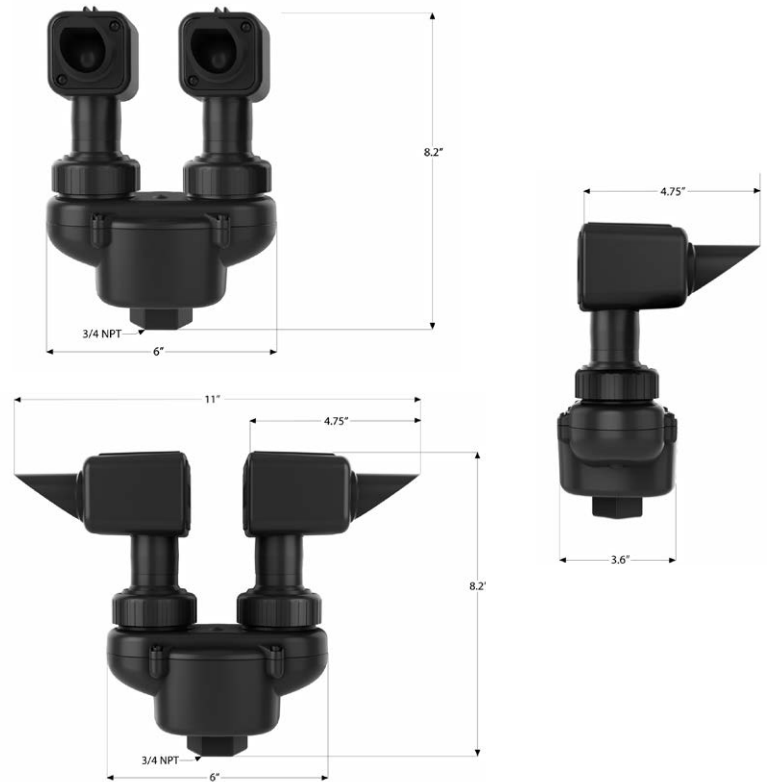
2 Head, 1-Direction or 2- Direction, 1- Channel,
Standard OSPOC Style Detector

TOMAR's DETOC21 Strobecom II single or dual direction preemption detector with automatic detector test includes two detector heads and one output channel.

The DETOC21 senses the optical pulses emitted by properly equipped emergency & transit vehicles. Mounted to observe an approach to an intersection, the DETOC21 is used with TOMAR OSPOCV2 Series optical signal processors to inform the traffic control system.



- Tool-less swivel of detector head makes aiming easy
- Sensor technology for sunlight rejection unmatched by any other system
- Fully encapsulated electronics for complete resistance to water, heat, and vibration
- Protected from mis-wiring and electrical transients
- Simple advance detector installation for detection around corners and over hills





Specifications

Item	Description
Maximum Detection Range	2500 feet minimum when used with OSPOCV2 series optical signal processor in clear atmospheric conditions
Maximum Cable Length	Up to 900 feet of TOMAR M913 preemption cable between optical signal processor and DETOC21
Field of View	13 degrees conical centered around viewport normal axis (typical)
Cable Type	TOMAR model M913 preemption detector cable 20 AWG 3-conductor shielded cable & bare
Operating Temperature	-40 to +75 degrees C
Physical Construction	The DETOC21 enclosure is black, glass filled, UV stabilized polyamide suitable for all weather use. All electronics circuitry is completely encapsulated in polyurethane for protection from shock, vibration, and moisture.
Mounting	The DETOC21 is easily mounted using standard hardware on either span wire or mast arm. The unit has a 3/4" female pipe mount hub and internal terminal block for connection to a 3/C shielded detector cable (TOMAR M913)

Ordering Info

Catalog Number	Description
DETOC21	Two head, single or dual direction, one channel, optical signal detector with automatic test

TRUE 10 YEAR WARRANTY!

10 year warranty covers the DETOC Series and all STROBECOM II components. Unlike other manufacturers, TOMAR's ten year warranty has NO fees or charges for warranty repairs after five years.

NOTICE: The sale of these items are restricted to state and local governments and to be authorized distributors only.