

# Flasher Controllers

Aluminum Flasher Cabinets are weather resistant and are available for rear, top and bottom mounting. Various brackets are available for mounting to wood or metal poles. A complete line of Type II or Police Type cabinets are available.



## Flasher Controller Assy w/ 5-Pin Flasher



SE-1000 -  -

Mount	Coating
T=Top Mount	PNC=Process No Color
B=Bottom Mount	P__=Paint
R=Rear Mount	
TB=Top/Bottom Mount	
TBR=Top/Bottom & Rear Mount	
NM=No Mount	



Top/Bottom Mount



Rear Mount

Note:  
Includes Time Clock, Lightning Arrestor, Circuit Breaker & Toggle Switch.

## Flasher Controller Assy w/ Nema Flasher



SE-1004 -  -

Mount	Coating
T=Top Mount	PNC=Process No Color
B=Bottom Mount	P__=Paint
R=Rear Mount	
TB=Top/Bottom Mount	
TBR=Top/Bottom & Rear Mount	
NM=No Mount	



Top/Bottom Mount



Rear Mount

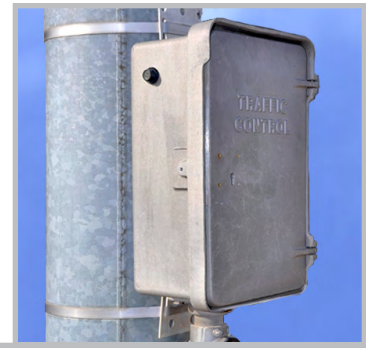
Note:  
Includes Time Clock, Lightning Arrestor, Circuit Breaker & Toggle Switch.

Note: 1. All assemblies are supplied standard with stainless steel fasteners.  
2. See Reference Section page v for available paint colors.



# Flasher Controllers

Aluminum Flasher Cabinets are weather resistant and are available for rear, top and bottom mounting. Various brackets are available for mounting to wood or metal poles. A complete line of Type II or Police Type cabinets are available.

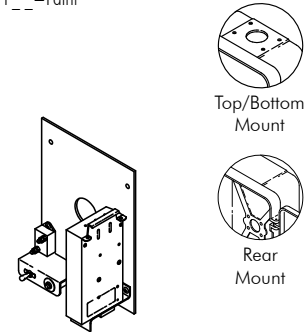


## Flasher Controller Cabinet Assy w/o Time Clock, Alum



SE-1014 -  -  -

Mount	Flasher	Coating
T=Top Mount	Blank=None	PNC=Process No Color
B=Bottom Mount	F=Nema Flasher	P__=Paint
R=Rear Mount		
TB=Top/Bottom Mount		
TBR=Top/Bottom & Rear Mount		
NM=No Mount		



SE-1015, Backpanel with Flasher

Note:  
Includes Lightning Arrestor, Circuit Breaker & Toggle Switch. Nema Flasher optional.

## Flasher Cabinet Assy w/ Police Type Lock, Alum



SE-1002 -  -

Mount	Coating
T=Top Mount	PNC=Process No Color
B=Bottom Mount	P__=Paint
R=Rear Mount	
TB=Top/Bottom Mount	
TBR=Top/Bottom & Rear Mount	
NM=No Mount	



Note: 1. All assemblies are supplied standard with stainless steel fasteners.  
2. See Reference Section page v for available paint colors.



# Mounting Assemblies

Aluminum Flasher Cabinets are weather resistant and are available for rear, top and bottom mounting. Various brackets are available for mounting to wood or metal poles. A complete line of Type II or Police Type cabinets are available.



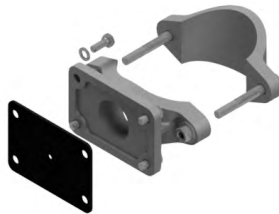
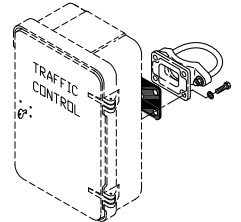
SE-2518-SS  
Gasket & Hardware



SE-2517-SS  
Hardware Kit

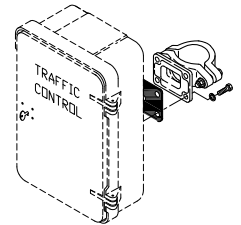
## Mounting Kit, Alum for 4" (4-1/2" OD) Post

SE-1100 -  Coating  
PNC=Process No Color  
P\_\_=Paint



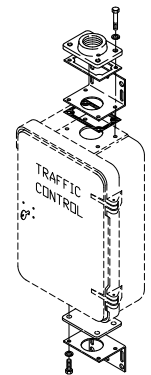
## Mounting Kit, Alum For 3" (3-1/2" OD) Post

SE-1101 -  Coating  
PNC=Process No Color  
P\_\_=Paint



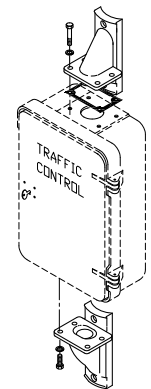
## Mounting Kit, Alum For Wood Pole w/ 1-1/2" Single Hub & Closure Plate

SE-1103 -  Coating  
PNC=Process No Color  
P\_\_=Paint



## Mounting Kit, Alum Sweep Elbows

SE-1104 -  Coating  
PNC=Process No Color  
P\_\_=Paint

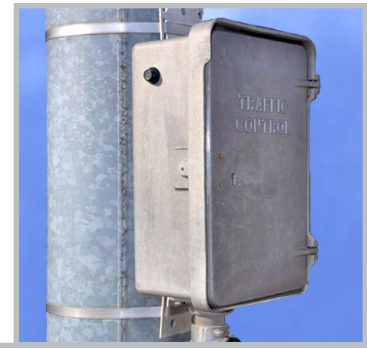


Note: 1. All assemblies are supplied standard with stainless steel fasteners.  
2. See Reference Section page v or available paint colors.



# Type I & Type IB Police Lock

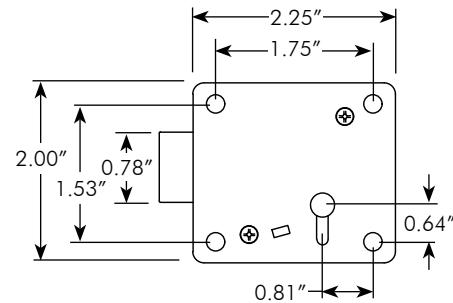
Aluminum Flasher Cabinets are weather resistant and are available for rear, top and bottom mounting. Various brackets are available for mounting to wood or metal poles. A complete line of Type II or Police Type cabinets are available.



## Cabinet Lock, Police Type I

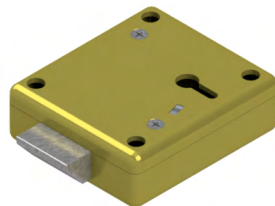
SM-1012 -  - BRS

- Keys
- OK=Lock Only
  - 1SK=Lock w/ 1 Short Key
  - 2SK=Lock w/ 2 Short Keys
  - 1LK=Lock w/ 1 Long Key
  - 2LK=Lock w/ 2 Long Keys



SM-0109-BRS **Short Key, Type I Cabinet Lock, 1-3/4"**

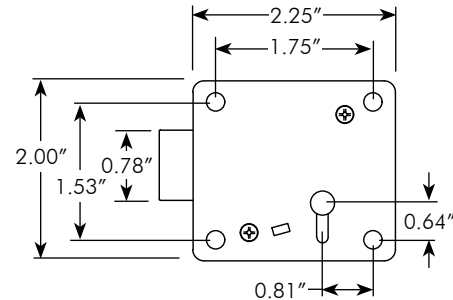
SM-0200-BRS **Long Key, Type I Cabinet Lock, 2-5/8"**



## Cabinet Lock, Type IB

SM-1021 -  - BRS

- Keys
- OK=Lock Only
  - 1SK=Lock w/ 1 Key
  - 2SK=Lock w/ 2 Keys



SM-0338-M1 **Key, Type IB Cabinet Lock, Nickle Plated**

Note: 1. Specify key options when ordering.

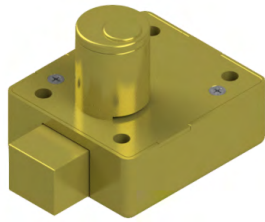


## Type II Tumbler Lock

Aluminum Flasher Cabinets are weather resistant and are available for rear, top and bottom mounting. Various brackets are available for mounting to wood or metal poles. A complete line of Type II or Police Type cabinets are available.

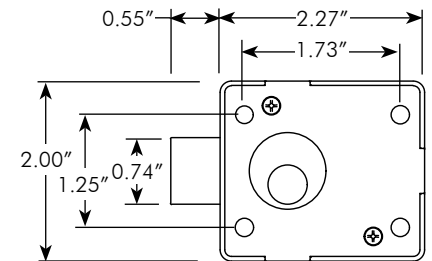


### Cabinet Lock, Type II Square Latch



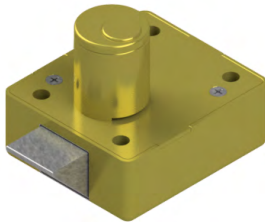
Keys  
SM-1026 -  - BRS

OK=Lock Only  
1K=Lock w/ 1 Key  
2K=Lock w/ 2 Keys



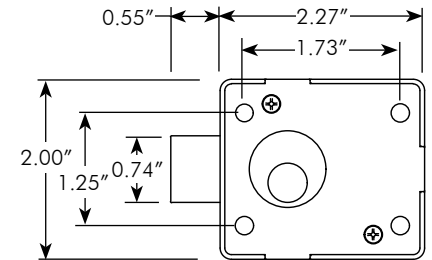
Note:  
Right hand shown, for left hand rotate 180°.

### Cabinet Lock, Type II Tapered Latch



Keys  
SM-1023 -  - BRS

OK=Lock Only  
1K=Lock w/ 1 Key  
2K=Lock w/ 2 Keys



Note:  
Right hand shown, for left hand rotate 180°.



SM-0198-2-CRM **Key, Type II Cabinet Lock**



SM-0198-B-CRM **Blank Key, Type II Cabinet Lock**

Note: 1. Unless otherwise specified, all locks will be provided to fit a Type II Key. All locks can be supplied with other key configurations upon request at an additional charge.



This page is intentionally left blank.

**CABINETS**

